

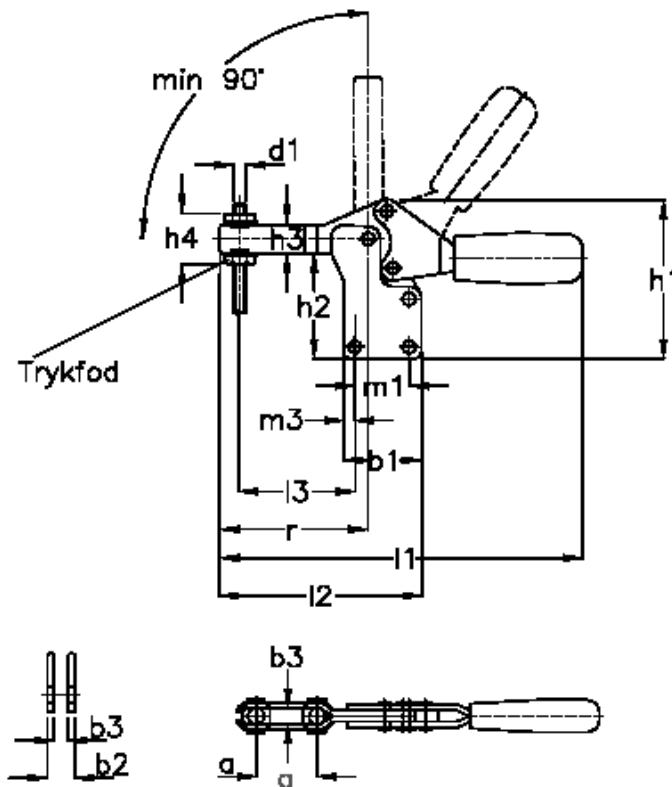
Data Sheet



Article number: 201355089

Description: E+G Klee vertical clamp
GN 820.1-130-N forked clamping arm

Measures



a = 32	h2 = 43.0	m2 = 7.0
b1 = 36	h3 = 14	m3 = 5.0
b2 = 10	h4 = 27	r = 62.0
b3 = 5	Holding force N = 1000	s = 5
b4 = 6.5	l1 = 170	Size = 125
d1 = M6	l2 = 92	
d2 = 5.5	l3 = 53.0	
h1 = 64.0	m1 = 26.0	